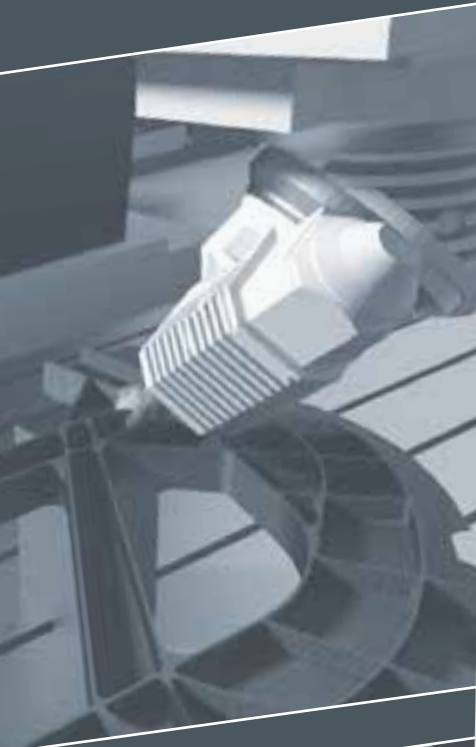




NEW MODEL

inoSTAR
GANTRY VERTICAL
MILLING MACHINE



EMPOWERING INNOVATION

INTERCHANGEABLE HEADS



TU144 / TUPC

Taper	Pos. (°)	S (rpm)
ISO 50 HSKA100	2,5° 0,001°	5.000/ 7.000



TTWM

Taper	Pos. (°)	S (rpm)
ISO 50 HSKA100	Continuous	5.000



TTWO

Taper	Pos. (°)	S (rpm)
HSK A63	Continuous	22.000



TO144/360 - 37

Taper	Pos. (°)	S (rpm)
ISO 50 HSKA100	2,5° 1°	3.000



TO144/360 - 70

Taper	Pos. (°)	S (rpm)
ISO 50 HSKA100	2,5° 1°	2.500



TAEM

Taper	Pos. (°)	S (rpm)
HSK A63	1°	18.000



TABR60

Taper	Pos. (°)	S (rpm)
ISO 60	±90 manual	1.000



SELS

Taper	S (rpm)
ISO 50 HSKA100	4.000



SELS HP

Taper
ISO 50 - HSKA100



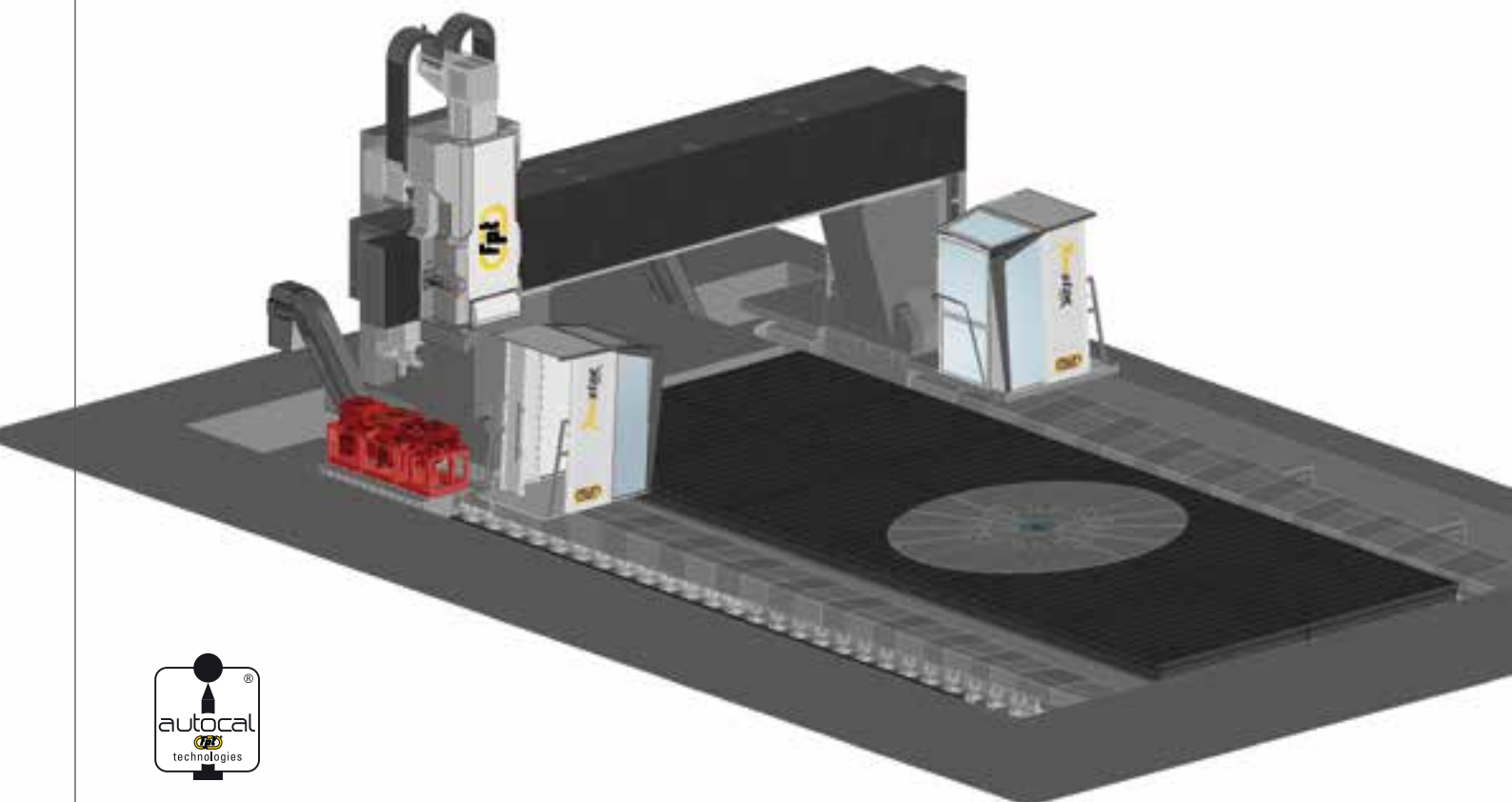
UT5 / UT8

Boring diameter UT5
800

Boring diameter UT8
1.000



CUSTOM LINE



TECHNICAL DATA

Modelli - Models - Modelle - Modèles		DS 400	DS 500	DS 600	
Corse Travels Verfahrwege Courses	- Longitudinale - <i>Longitudinal</i> - Längs - <i>Longitudinale</i>		≥ 6.000 (236,2)		
	- Trasversale - <i>Cross</i> - Quer - <i>Transversale</i>	mm (in)	4.300 (169,3)	5.300 (208,7)	6.300 (248,0)
	- Verticale - <i>Vertical</i> - Vertikal - <i>Verticale</i>		1.500 - 1.750 - 2.000 (59,0 - 68,9 - 78,7)		
	- Velocità di avanzamento - <i>Feed rate</i> - Vorschubgeschwindigkeit - <i>Vitesse d'avance</i>	mm/min (in/min)	30.000 (1.181,1)		
Mandrino Spindle Spindel Broche	- Potenza massima - <i>Max Power</i> - Max Leistung des Motors - <i>Puissance max</i>	kW	up to 86		
	- Coppia massima mandrino - <i>Max torque</i> - Max. Spindeldrehmoment - <i>Couple max</i>	Nm (lbf.ft)	up to 2.250 (1.659,5)		

Hydrostatic Turning System - Table type		TT15	TT20	TT30
Dimensioni massime - Max dimensions Max. Abmessungen - Dimensions maxi	mm (in)	2.500 - 3.200 - 4.000 (98,4 - 126,0 - 157,5)	2.500 (98,4)	3.000 (118,1)
Portata - Loading capacity Tischlast - Capacité de poids	kg (lb)	15.000 (33.069)	20.000 (44.093)	30.000 (66.139)
Massima potenza - Max power Max. Leistung - Puissance maxi	kW (Hp)	60 (80,5)	60 (80,5)	60 (80,5)
Tipo di cuscinetto - Type of Bearing Lagertyp - Palier		Hydrostatic	Hydrostatic	Hydrostatic
Max. velocità di rotazione - Max.speed rotation Maximale Drehzahl - Max vitesse de rotation	r.p.m.	180	180	180

Hydrostatic Turning System - Table type		TT40	TT60	TT80
Dimensioni massime - Max dimensions Max. Abmessungen - Dimensions maxi	mm (in)	3.500 (137,8)	4.000 (157,5)	4.500 (177,2)
Portata - Loading capacity Tischlast - Capacité de poids	kg (lb)	40.000 (88.185)	60.000 (132.277)	80.000 (176.370)
Massima potenza - Max power Max. Leistung - Puissance maxi	kW (Hp)	100 / 150 (134,1 / 201,2)	100 / 150 (134,1 / 201,2)	126 / 160 (169,0 / 214,6)
Tipo di cuscinetto - Type of Bearing Lagertyp - Palier		Hydrostatic	Hydrostatic	Hydrostatic
Max. velocità di rotazione - Max.speed rotation Maximale Drehzahl - Max vitesse de rotation	r.p.m.	120	120	100

Dati e caratteristiche del presente catalogo non sono impegnativi. Il costruttore si riserva di modificarli senza preavviso in qualsiasi momento. - Data and features in the present catalogue are not binding. The producer reserves the right to alter them without advance notice at any time. - Die in diesem Katalog angeführten Daten und Angaben sind unverbindlich. Der Hersteller behält sich das Recht zur Änderung ohne vorherige Benachrichtigung vor. - Les données et caractéristiques du présent catalogue ne sont pas un engagement. Le constructeur se réserve de modifier celles-ci sans préavis à n'importe quel moment.



FPT INDUSTRIE S.P.A.

VIA ENRICO FERMI, 18
I-30036 S.MARIA DI SALA
VENEZIA - ITALY
TEL. +39-041-5768111
FAX +39-041-487528 AUTOMATICO
infoccm@fptindustrie.com

FPT NORTH AMERICA INC.

37046 INDUSTRIAL RD.,
LIVONIA, MI 48150, USA
TEL. +1-734-4668555
FAX +1-734-4668690
info.america@fptindustrie.com

FPT DEUTSCHLAND AG

ENZINGER STRASSE 139
D-67551 WORMS
TEL. +49-6247-2380010
FAX +49-6247-238002010
info.germany@fptindustrie.com

FPT CHINA WFOE

1ST FLOOR, BUILDING 31,
NO.3199, ZHENBEI ROAD,
PUTUO DISTRICT,
SHANGHAI CITY, 200331
TEL. +86-021-51756338
FAX +86-021-51780178
info.china@fptindustrie.com

FPT RUSSIA

119019 MOSCA
NASHCHOKINSKIY PER., 12
TEL. +7-495-6950618
FAX +7-495-6950625
info.russia@fptindustrie.com

